

Warranty
2
years



Indicator Display and Alarm Unit with Battery

The ALARM'BOX allows clustering in single point for effective protection and easy maintenance for industrial and administrative sites :

- Important indicator displays : Including In service/Out of service, Run/Stop, and levels, ...
- Technical alarms : Including trip-outs, temperature alarms, levels, and overspeeds, ...
- Each way can be shown on simple indicator displays or in alarm mode.
- High luminosity, long life 5x10mm LED display.
- Choice of 7 colours by LEDs with settings by switch.
- LEDs can be clustered according to the monitoring elements.

example : 3 ways for Run/Stop/Fault.

The ALARM'BOX was developed according to the strictest industrial standards.

8 to 96 channels modulation (1 to 3 stages)

For each channel :

- Data storage, blinking, operator acknowledgement on selected «Alarm» ways.
- Fixed simple display on selected simple indicator display ways.
- Selection of 7 colors for each input by switch.
- NO/NC selection.
- 0-1min and 1-10min time delay (filtering input processing).
- Remote input inhibiting.
- Selection of ways to «synthesis» output (general alarm) for remote reporting.

One cabinet includes :

- 1 to 3 stages IP65 wall-fixed cabinet with double insulation.
- Front buttons for «Test» and «operator acknowledge».
- A certain number of 8 inputs cards.
- 1 internal buzzer and one output contact for external sound alarm.
- 1 «General alarm» output contact.
- 1 «power supply alarm» output contact.
- 1 x 230Vac power supply.
- Charged with battery for autonomous operation.

Wiring to be done :

It is fully pre-wired. You only need to connect up :

- Two leads for 230Vac power supply.
- Two leads per «contact» input.

MODELS :

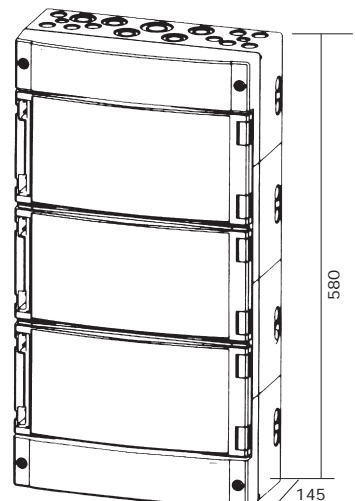
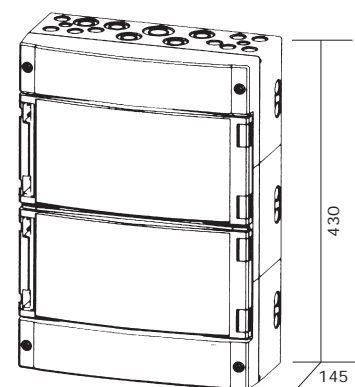
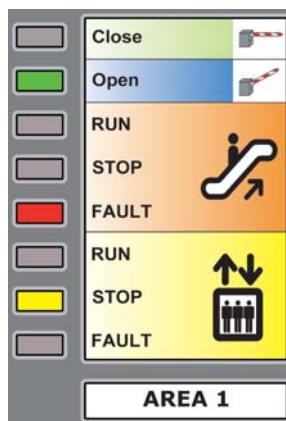
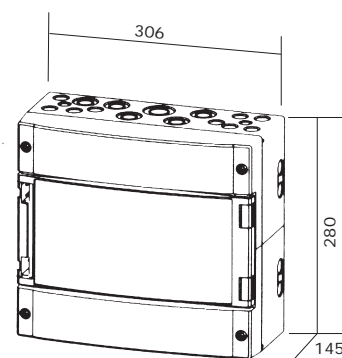
Number of ways	Type	230Vac with battery	Autonomy standard *
8 inputs	1 stage	AJ1900-05-11BT	85 h
16 inputs		AJ1900-05-12BT	76 h
24 inputs		AJ1900-05-13BT	67 h
32 inputs		AJ1900-05-14BT	60 h
40 inputs	2 stages	AJ1900-05-21BT	45 h
48 inputs		AJ1900-05-22BT	42.5 h
56 inputs		AJ1900-05-23BT	40 h
64 inputs		AJ1900-05-24BT	37.5 h
72 inputs	3 stages	AJ1900-05-31BT	31 h
80 inputs		AJ1900-05-32BT	30 h
88 inputs		AJ1900-05-33BT	29 h
96 inputs		AJ1900-05-34BT	28 h
8 inputs	additional card	AJ1905-01-10C	

Additional 8 inputs card with connector for relay card : AJ1905-01-10CA

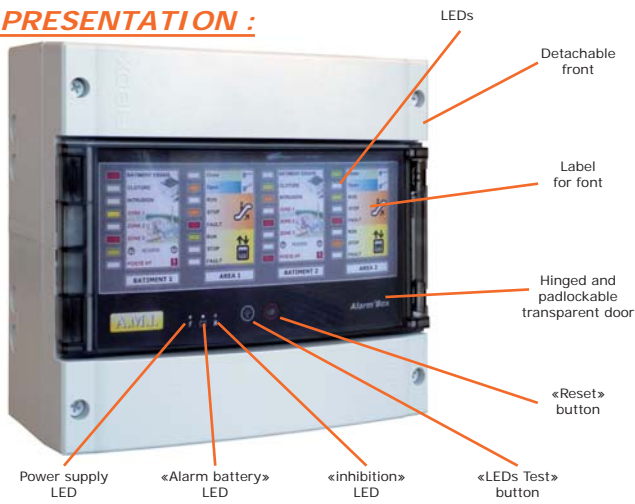
* standard autonomy : ALARM'BOX with batteries are delivered with a 12V/7Ah battery as standard.

The autonomous time is the one that allows the following test, after 24h battery charge (mains supply present) :

- Unit running on standby (no mains supply), with indicator displays or alarms.
- Detection and noting alarm for maximum 1 minute at the end of autonomous time.

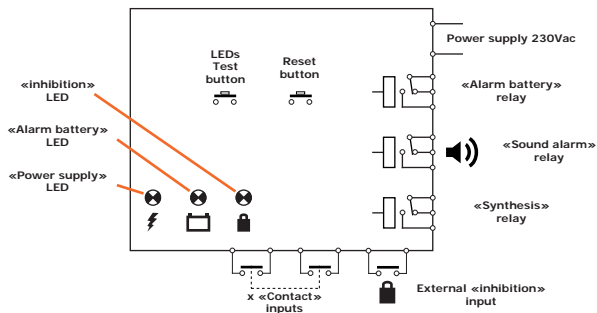


PRESENTATION :



- Front cover is easily removable and includes :
- One «LED test», and a «Reset» or «Acknowledge» button.
 - One «Mains presence» green light that changes to orange in the case of any activated track shut-down.
 - One «Battery alarm» light that shows red in case of a too high battery discharge.
 - An «inhibit» LED, normally off, which will light orange when inhibition input is activated.
 - The «Contact» input terminal board is fitted with two terminals per way (4 terminal boards each with 2x8 terminals, corresponding to each the 4 input cards).
 - One auxiliary terminal board with :
 - One input to connect an external contact to enable inhibiting certain ways (also called Day/Night). Possibility of inhibition ways per separate stage.
 - One inverter contact for external siren.
 - One inverter contact for general alarm (for sending out «alarm present» information to the outside).
 - one terminal board with a «Battery supply» alarm contact, as well as 230Vac general power supply.

All relays are set at positive security.

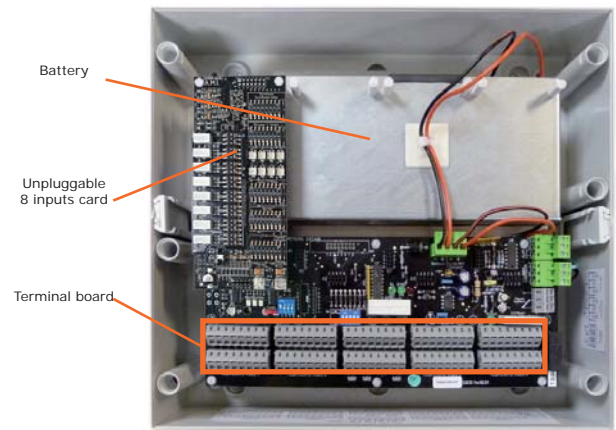


SPECIFICATIONS :

Possible voltages	230Vac
Supply tolerance	-30/+30%
Consumption :	
without path card	0.2A
through track card (standby)	9mA
through track card (max.)	230mA

Consumption per input	2.4mA
Permitted line resistance on contact	2kOhms
Time delay accuracy	+/- 20%
Protection with cover	IP65
Temperature (at nominal voltage)	-10°C / +50°C
Relay contact (positive security)	1RT 6A/12Vdc - 0.15A/240Vac
Weight (with battery)	1 stage : 7kg 2 stages : 8.5kg 3 stages : 10kg

Lifted central cover



POSSIBLE SETTINGS :

Possible settings for each way :

- NO/NC contact input.
- 0-1min or 1-10min confirmation time delay.
- «Simple display» or «Alarm» type process selection.
- Selection to General Alarm relay or Not.
- Selection to inhibit ways.

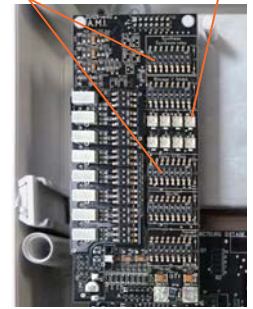
General adjustments possible :

- To inhibit all ways.
- Delay of buzzer.

Detection :

- Mains power loss / low voltage battery.

Selection switch «Times delay» adjustment

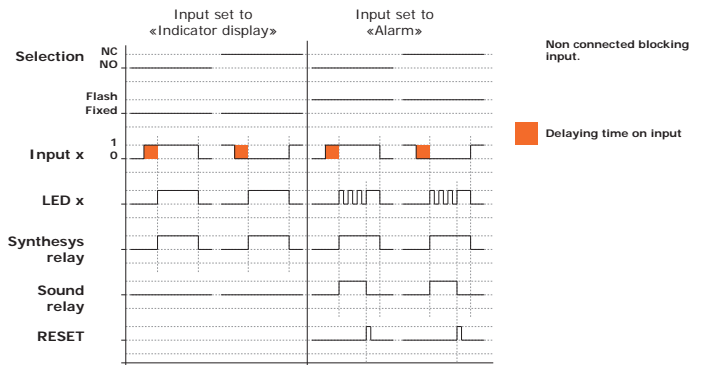


8 inputs card (4 possible cards per stage)

The delay of buzzer allows when an alarm appears, not to leave the buzzer ring out permanently.

When an alarm appears, the buzzer rings, if this one is not acknowledged, with the timer option on, the buzzer will switch off after the programmed delay.

It has to be noted that when a new alarm appears the buzzer will not ring.



PRODUCING LABELS :

Labels are ordinary paper sheets that can be slid into a transparent pocket included in the thickness of the front face. A blank label is supplied with each unit. Labels can be handmade, or draw the screen of the PC and produced on a colour printer (laser or ink-jet).

The PC software allows to create labels including images, allows to save and duplicate the achievements.

This PC software is FREE. It is possible to load it on our website : www.ami-control.com For high humidity countries, the printing on plastic sheets is recommended.

